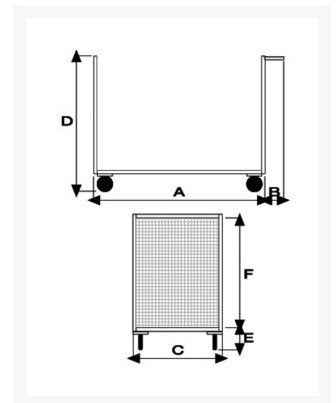


2 sided mesh truc, solid rubber casters Ø 140

Immagini Prodotto



Descrizione

Sizes mm 600x900x810h

2 fixed casters and 2 swivel Ø 140

Mesh walls 30x30 Thread 2.8 with tubular chassis 25x25x1.5

Weight Kg. 26

Capacity Kg. 350

Plate platform with thickness 20/10 with tubular chassis 30x15x1.5

Epoxy powder painting

COMPLIANT TO CE RULES

Optional:

Tractor coupling

Tow hook

ART	A	B	C	D	E	F
058	900	150	600	810	180	600

Informazioni Aggiuntive

Cod. Prod.	ART058GIR
GTIN/EAN	8053853152954
Fornito	Ruote Montate al Piano, Sponde da Montare
Weight kg	26.0000
Load Capacity	350
Diametro Ruota in mm	140
Type of Wheel:	Rubber
Colour	Blu RAL5015
Manufacturer	Carmeccanica
Made in	Italia
Warranty	5 Years
Conformità	CE
Lead Time	Pronta Consegna