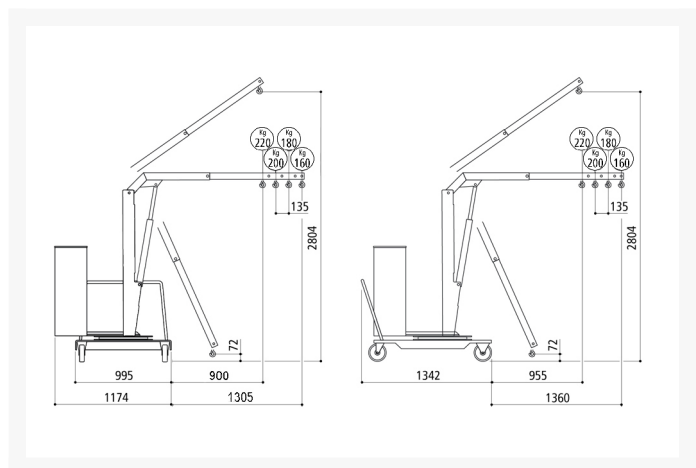
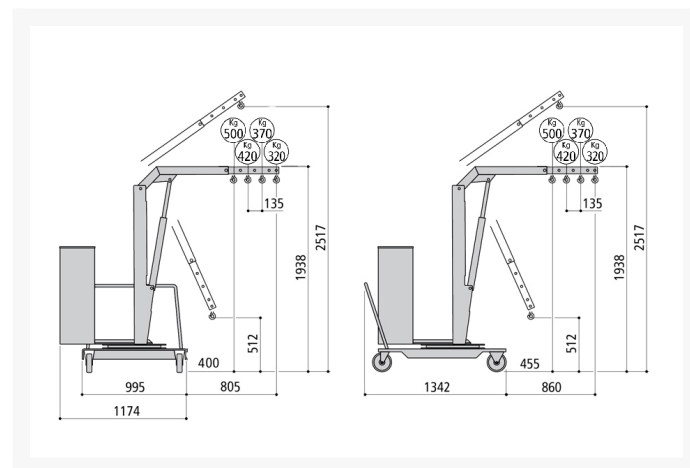
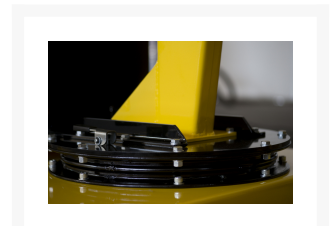
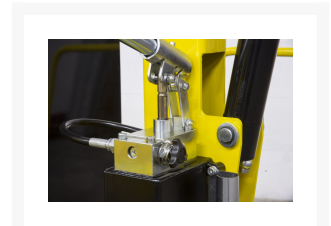
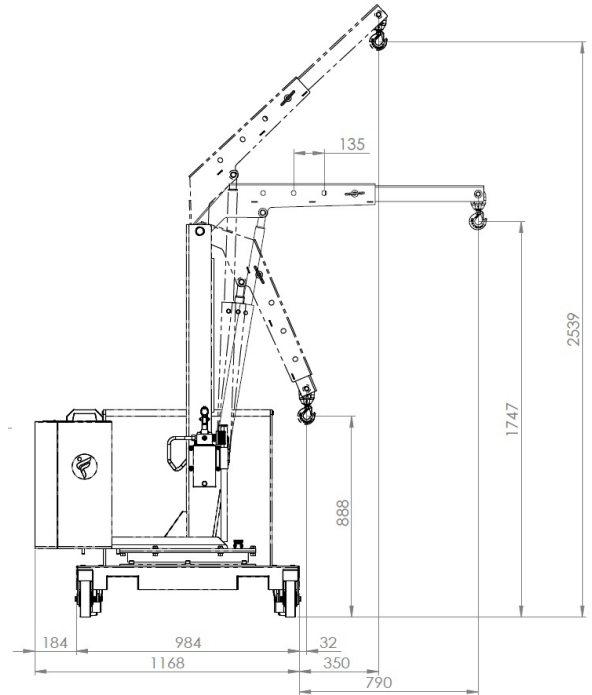
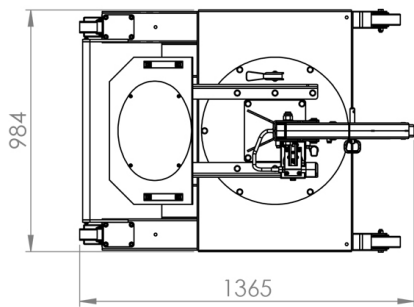
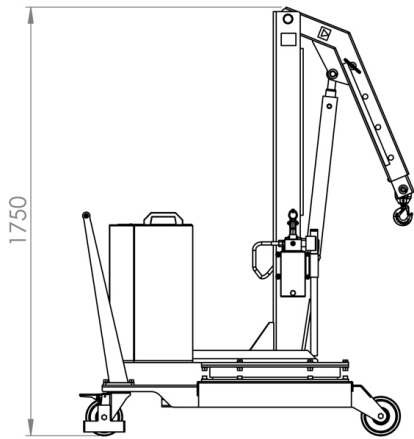


# 360° rotating mobile crane with counterweight pump actuated

## Immagini Prodotto







## Descrizione

360° rotating mobile crane with counterweight pump actuated designed to easily load weight till Kg. 500. It can be used to lift loads from the ground, from shelves or containers and carry it directly to the processing machines. The 360° rotating boom allows to overcome perimeter protections. Double acting lift pump requests a minimal effort. The lifting boom is adjustable in 4 position with decreasing capacity. A boom extension with length mm 1500 and maximum capacity Kg. 130 is available  
 COMPLIANT TO CE RULES

		ART
		GRU05GR
DESCRIPTION		
A (boom frame height)	mm	1830
B (base length)	mm	1340

C (base width)	mm	1000
<b>D</b> (lowered boom height)	mm	500
D max (raised boom height)	mm	2500
E	mm	120
BOOM LENGTH (boom in the same direction of the length of the base)		
F (position1)	mm	500
G (position 2)	mm	600
H (position 3)	mm	700
I (position 4)	mm	800
BOOM WIDTH (boom in the same direction of the width of the base)		
L (position1)	mm	400
M (position 2)	mm	500
N (position 3)	mm	600
O (position 4)	mm	700
Overall height boom horizontal to the ground	mm	1955
Weight	kg	500
Capacity maximum	kg	500
Capacity position 1	kg	500
Capacity position 2	kg	350
Capacity position 3	kg	250
Capacity position 4	kg	150

Pressure maximum	bar	100
Lifting speed	sec	30
Lowering speed maximum	sec	15
Cylinder stroke	mm	475
Diameter cylinder	mm	60
Lifting piston rod	mm	30
Tank capacity	L	0.4

## Informazioni Aggiuntive

Cod. Prod.	GRUGR05
GTIN/EAN	8053853155375
Fornito	Montato - Pronto all'uso
Weight kg	500.0000
Load Capacity	500
Type of Wheel:	Nylon/Poliuretano
Colour	Yellow RAL028
Made in	Italia
Warranty	Legale
Conformità	CE
Lead Time	7 giorni

**Prolunga braccio a 1500 mm portata ridotta a 130 kg**

Prolunga braccio a 1500 mm portata ridotta a 130 kg