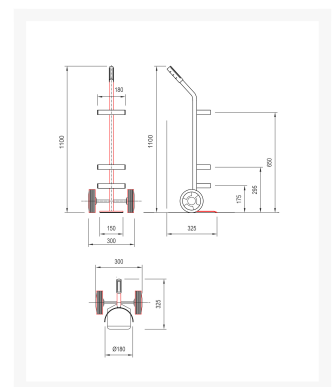


AISI 304 Stainless steel single cylinder truck 5/7 lt.

Immagini Prodotto



Descrizione

Single cylinder truck for Ø 160 cylinder, capacity lt. 5/7.

Greater resistance to oxidation and corrosion, especially with humid air or fresh water. The hand truck in stainless steel (AISI 304) are indispensable for the food and hotel sector, in organized distribution and in all environments with a high degree of salinity.

2 rubber wheel Ø 150

Non-marking grey rubber wheel, nylon core and hub on smooth bushing.

Hand truck suitable for stoneware, asphalt, concrete and resin.

Sizes 290x350x1100 mm

Round cylinder holders height mm 155 - 275 - 615

Noseplate sizes 150x150 mm

Weight Kg.3,5

Capacity 60 Kg

Strap with buckle for cylinder containment in the second containment circle.

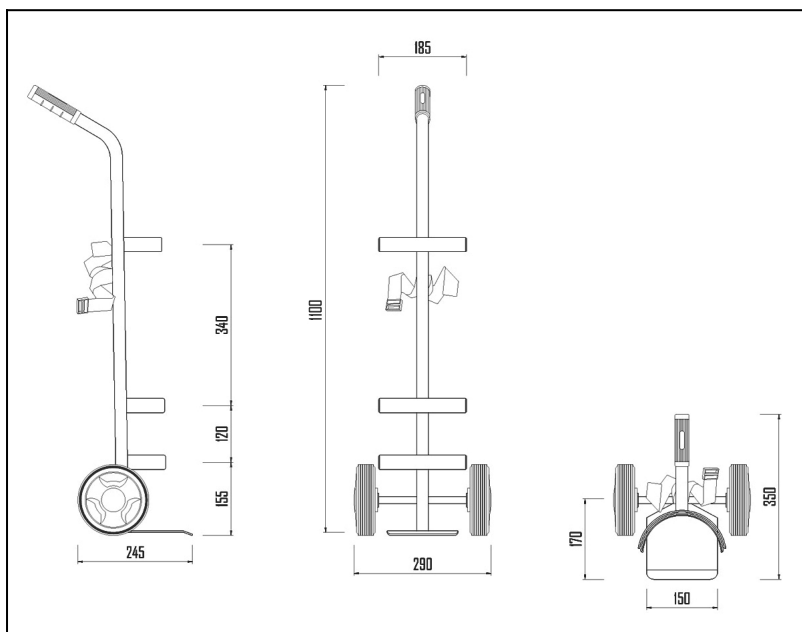
Non-toxic rubber knobs.

Ergonomic handle.

Tubular, plate and electro-welded rims.

AISI 304 Stainless Steel

COMPLIES WITH CE STANDARDS



Informazioni Aggiuntive

Cod. Prod.	ART032AINOX
GTIN/EAN	8053853151186
Fornito	Montato - Pronto all'uso
Weight kg	3.0000
Plate	150x150
Load Capacity	50
Diametro Ruota in mm	150
Type of Wheel:	Grey Rubber
Colour	Pickled Stainless Steel 2B
Manufacturer	Carmeccanica
Made in	Italia
Warranty	5 Years
Conformità	CE
Lead Time	15 giorni