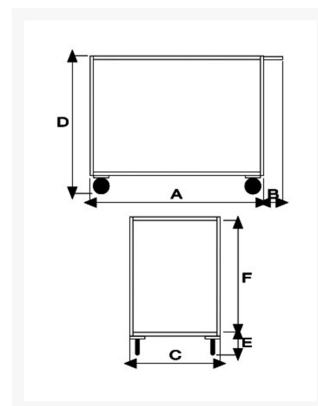
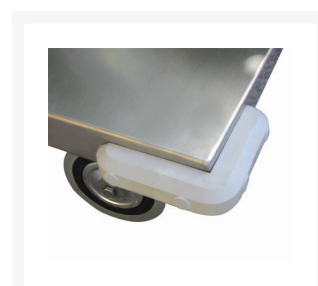


AISI 304 stainless steel stock cart 2 fixed casters 2 swivel casters with brake

Immagini Prodotto



Descrizione

Sizes mm 600x1030x850h

Shelves plate thickness 15/10

4 non marking grey rubber casters \varnothing 125 2 fixed 2 swivel with brake

Weight Kg. 21

Capacity Kg. 250

INOX

COMPLIANT TO CE RULES

ART	A	B	C	D	E	F
041FRINOX	900	130	600	850	160	630

Informazioni Aggiuntive

Cod. Prod.	ART041FRINOX
GTIN/EAN	8053853151803
Fornito	Montato - Pronto all'uso
Weight kg	22.0000
Load Capacity	300
Diametro Ruota in mm	140
Type of Wheel:	Grey Rubber
Colour	Satinized Stainless Steel
Manufacturer	Carmeccanica
Made in	Italia
Warranty	5 Years
Conformità	CE
Lead Time	Pronta Consegna