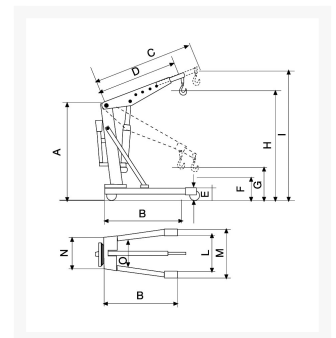


Assembly shop crane double acting pump, telescopic boom

Immagini Prodotto



Descrizione

EPOXY POWDER PAINTED
COMPLIANT TO CE RULES

| ART | Capacity Kg. | I Kg. | II Kg. | III Kg. | IV Kg. | A | B | C | D | E | F | G | H | I | L | M | N | O | Weight Kg. |
|----------|-----------------|----------|-----------|------------|-----------|------|------|------|------|-----|-----|-----|------|------|-----|-----|-----|-----|---------------|
| GRUEX05D | 500 | 500 | 400 | 350 | 250 | 1620 | 1260 | 1350 | 1040 | 143 | 410 | 650 | 2160 | 2360 | 750 | 885 | 665 | 610 | 77 |

Informazioni Aggiuntive

| | |
|----------------|------------------------------|
| Cod. Prod. | GRUEX05D |
| GTIN/EAN | 8053853155320 |
| Fornito | Smontato - Viteria a Corredo |
| Weight kg | 77.0000 |
| Load Capacity | 500 |
| Type of Wheel: | Poliammide (Nylon) |
| Colour | Red RAL3000 |
| Made in | Italia |
| Warranty | 2 Years |
| Conformità | CE |
| Lead Time | 7 giorni |