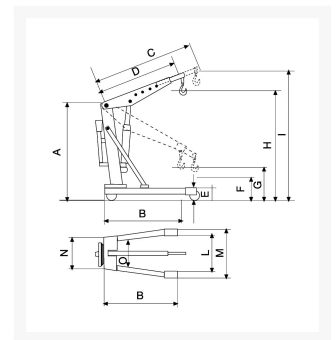


# Assembly shop crane double acting pump, telescopic boom

## Immagini Prodotto



## Descrizione

EPOXY POWDER PAINTED  
COMPLIANT TO CE RULES

| ART     | Capacity<br>Kg. | I Kg. | II Kg. | III<br>Kg. | IV<br>Kg. | A    | B    | C    | D    | E   | F   | G   | H    | I    | L   | M    | N    | O   | Weight<br>Kg. |
|---------|-----------------|-------|--------|------------|-----------|------|------|------|------|-----|-----|-----|------|------|-----|------|------|-----|---------------|
| GRUEX15 | 1500            | 1500  | 1200   | 800        | 500       | 1885 | 1800 | 1820 | 1370 | 200 | 600 | 850 | 2750 | 3100 | 850 | 1050 | 1000 | 870 | 171           |

## Informazioni Aggiuntive

---

|                |                              |
|----------------|------------------------------|
| Cod. Prod.     | GRUEX15                      |
| GTIN/EAN       | 8053853155344                |
| Fornito        | Smontato - Viteria a Corredo |
| Weight kg      | 170.0000                     |
| Load Capacity  | 1500                         |
| Type of Wheel: | Nylon/Adiprene               |
| Colour         | Red RAL3000                  |
| Made in        | Italia                       |
| Warranty       | 2 Years                      |
| Conformità     | CE                           |
| Lead Time      | 7 giorni                     |