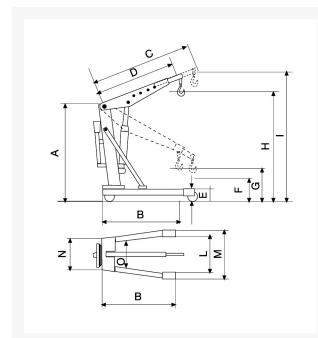


Assembly shop crane single acting pump, telescopic boom

Immagini Prodotto



Descrizione

EPOXY POWDER PAINTED
COMPLIANT TO CE RULES

ART	Capacity Kg.	I Kg.	II Kg.	III Kg.	IV Kg.	A	B	C	D	E	F	G	H	I	L	M	N	Weight Kg.
-----	-----------------	-------	--------	---------	--------	---	---	---	---	---	---	---	---	---	---	---	---	---------------

Informazioni Aggiuntive

Cod. Prod.	GRUEW05D
GTIN/EAN	8053853155306
Fornito	Smontato - Viteria a Corredo
Weight kg	77.0000
Load Capacity	500
Type of Wheel:	Polipropilene
Colour	Yellow RAL028
Manufacturer	Carmeccanica
Warranty	2 Years
Conformità	CE
Lead Time	Pronta Consegna