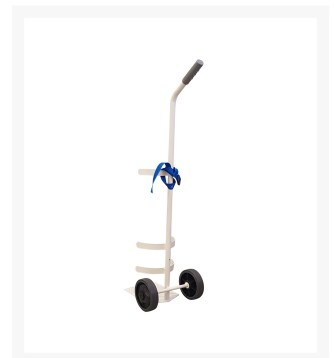
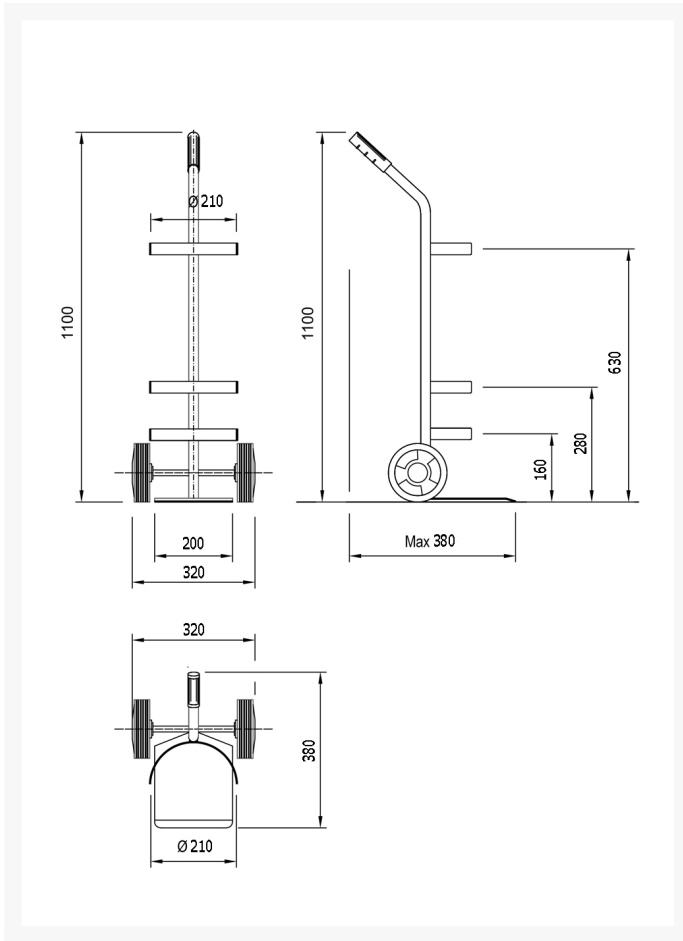


Cylinder truck 15/20lt

Immagini Prodotto





Descrizione

New medical cylinder truck.

Improved in detail to ensure greater safety and cleanliness in hospital environments.

Single cylinder holder for $\varnothing 210$ cylinder, capacity lt. 15/20.

Designed for a professional user, ideal for both industrial and hospital use.

The containment hoops at different heights and the strap with buckle ensure greater stability.

2 Injection rubber wheel $\varnothing 150$

Injection grey rubber, black polypropylene centre and hub on smooth bushing.

Wheels suitable for stoneware, asphalt, concrete and resin.

Sizes 320x380x1100 mm

Round cylinder holders height mm 160 - 280 - 630

Noseplate sizes 200x250 mm

Weight Kg.4

Capacity 60 Kg

Strap with buckle for cylinder containment in the highest containment circle.

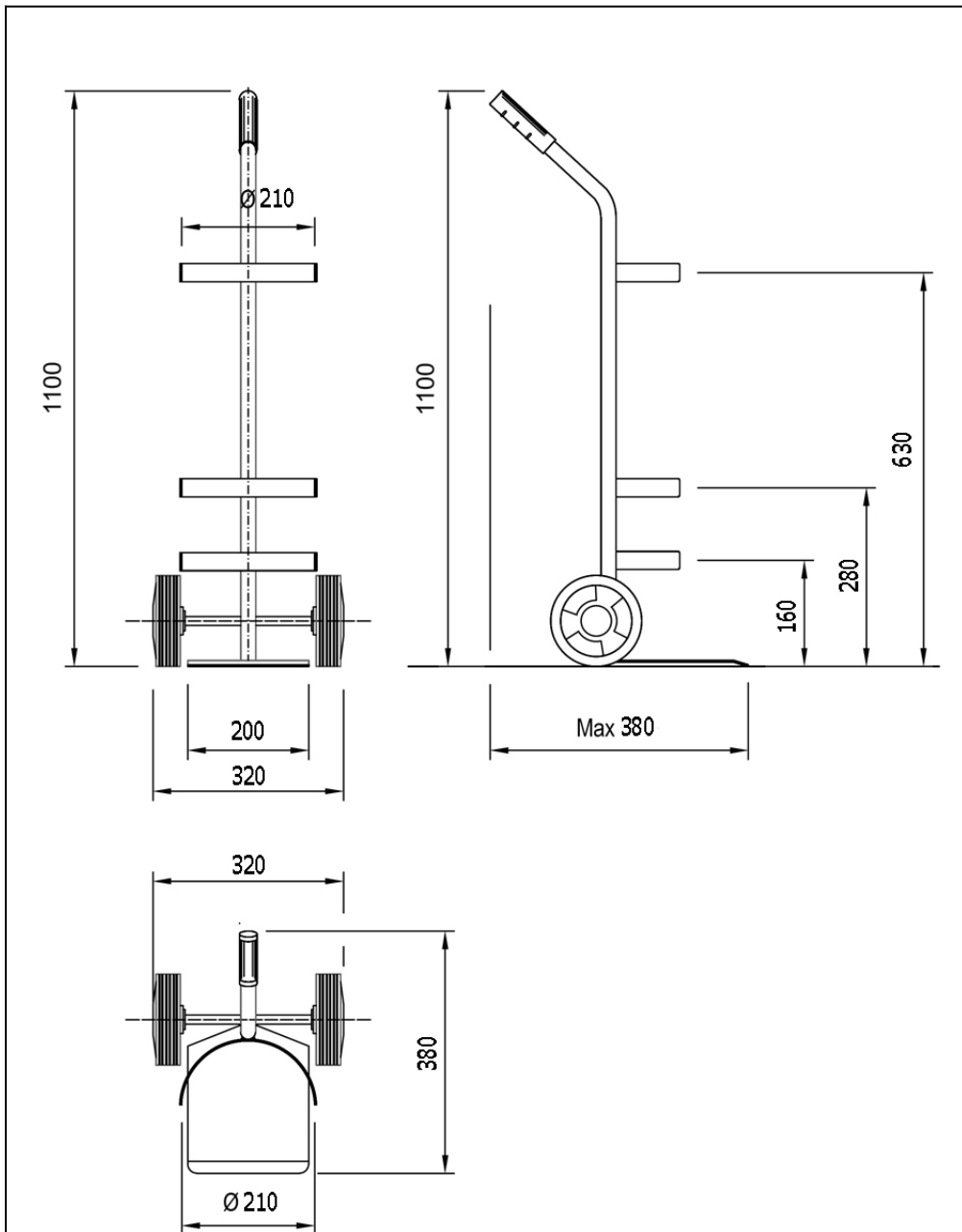
New grips in non-toxic gray rubber.

Ergonomic handle, easy to move.

Tubular, plate and electro-welded rims.

EPOXY POWDERS COATED

COMPLIES WITH CE STANDARDS



Informazioni Aggiuntive

Cod. Prod.	ART032B-M
GTIN/EAN	8053853157133
Fornito	Montato - Pronto all'uso
Weight kg	4.0000
Plate	250x200
Load Capacity	60
Diametro Ruota in mm	150
Type of Wheel:	Grey Rubber
Colour	White
Manufacturer	Carmeccanica
Made in	Italia
Warranty	5 Years
Conformità	CE
Lead Time	Pronta Consegna