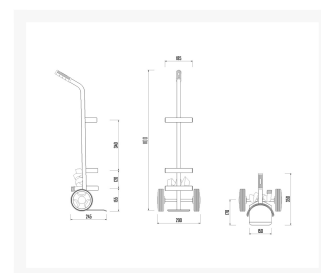


Cylinder truck lt. 5/7 aluminium

Immagini Prodotto



Descrizione

Single cylinder truck for \varnothing 160 cylinder, capacity lt. 5/7.

Designed for a professional user, ideal for both industrial and hospital use.

The containment hoops at different heights and the strap with buckle ensure greater stability.

Especially suitable for outdoor environments, it is a very light trolley and the anodization makes it resistant to corrosion by atmospheric agents, stains and scratches. Furthermore, anodized aluminum is recyclable.

2 Injection rubber wheel \varnothing 150

Non-marking grey rubber wheel, nylon core and hub on smooth bushing.

Hand track suitable for stoneware, asphalt, concrete and resin.

Sizes 290x350x1100 mm

Round cylinder holders height mm 155 - 275 - 615

Noseplate sizes 150x150 mm

Weight Kg.3

Capacity 60 Kg

Strap with buckle for cylinder containment in the second containment circle.

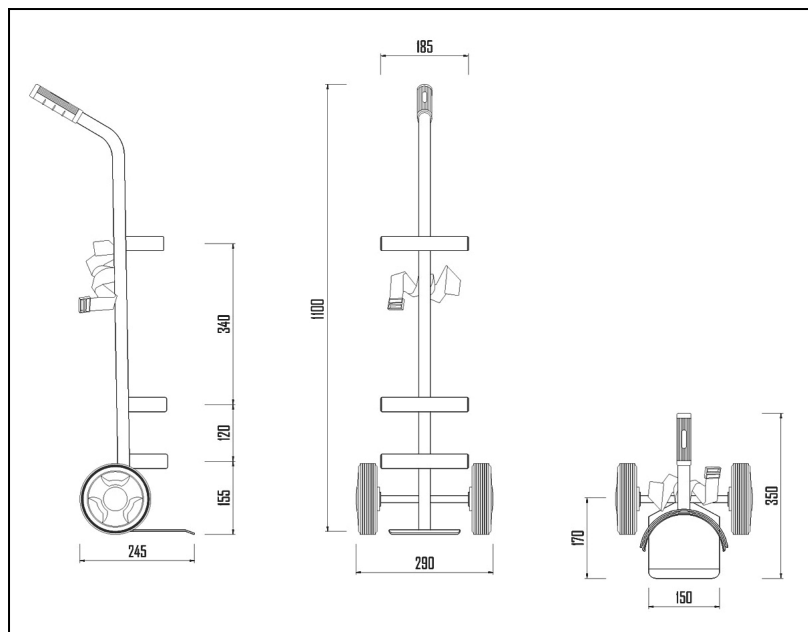
Non-toxic rubber knobs.

Ergonomic handle.

Tubular, plate and electro-welded rims.

EPOXY POWDERS COATED

COMPLIES WITH CE STANDARDS



Informazioni Aggiuntive

Cod. Prod.	ART032AAL
GTIN/EAN	8053853151162
Fornito	Montato - Pronto all'uso
Weight kg	3.0000
Plate	150x150
Load Capacity	60
Diametro Ruota in mm	150
Type of Wheel:	Grey Rubber
Colour	Aluminum RAL 9006
Manufacturer	Carmeccanica
Made in	Italia
Warranty	5 Years
Conformità	CE
Lead Time	7 giorni