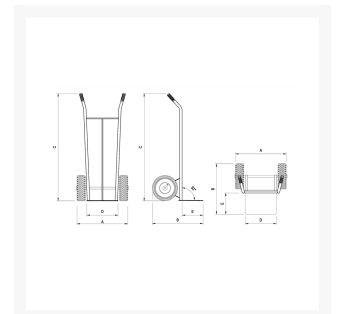


# Hand truck, 2 PU puncture-proof wheels

## Immagini Prodotto



## Descrizione

Hand truck with straight backrest ideal for bulky crates, parcels or boxes.

Ideal for loading jobs, deliveries, removals, but also for housework or garden work.

Useful for small household transports and well used on an industrial level, light and easy to use.

2 foam PU puncture-proof wheels Ø260

Flat free wheel with polyurethane tyre, grey painted steel flanges, roller bearings.

Hand track suitable for stoneware, asphalt, concrete, resin, grating and dirt.

**Sizes** mm 520x530x1095h

**Noseplate Sizes** mm 320x220

**Weight** Kg. 8

**Capacity** Kg. 150

Non-toxic rubber knobs

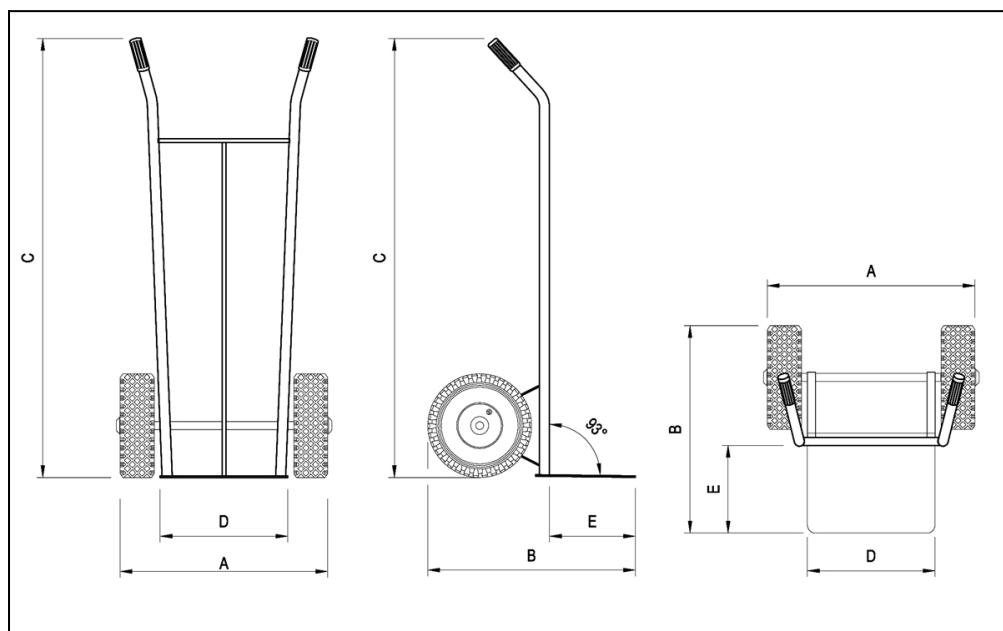
Ergonomic handle.

Central support bar.

Electro-welded tubes,

EPOXY POWDERS COATED

COMPLIANT WITH CE STANDARDS



	A	B	C	D	E
mm	520	530	1095	320	220

## Informazioni Aggiuntive

---

Cod. Prod.	ART107-02
GTIN/EAN	8053853158048
Fornito	Montato - Pronto all'uso
Weight kg	7.0000
Plate	320x220
Load Capacity	150
Type of Wheel:	Pneumatic Ny
Colour	Yellow RAL028
Manufacturer	Carmeccanica
Made in	Italia
Warranty	5 Years
Conformità	CE
Lead Time	Pronta Consegna