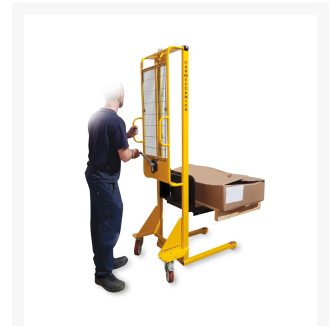
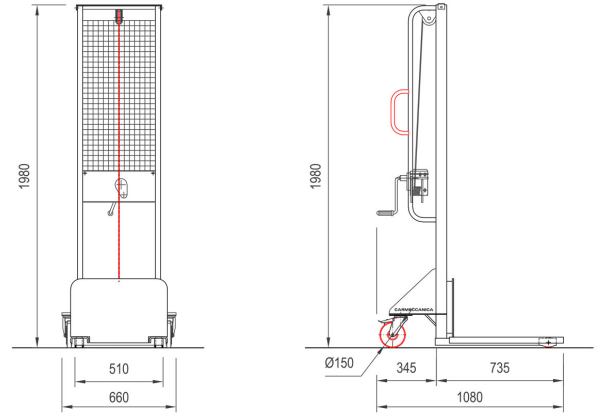


Hand winch stacker with automatic friction brake

Immagini Prodotto







Descrizione

Capacity Kg 200

Weight Kg.97

Lifting height mm 1.600

Cable breaking load 1.000 kg

Push handles

Sizes:

Length mm 1150

Total width mm 660

Minimum overall height mm 2005

Maximum overall height mm 2005

Length of fixed legs mm 600

Forks:

Length mm 650

Width mm 80

Thickness mm 50

Inner distance between forks mm 200

2 back wheels in Nylon/polyurethane Ø 150

1 with brake

2 Nylon front rollers Ø 80x40

Turning radius Wa mm 930

COMPLIANT TO CE RULES

Informazioni Aggiuntive

Cod. Prod.	ARTARG2
GTIN/EAN	8053853154750
Fornito	Montato - Pronto all'uso
Weight kg	97.0000
Load Capacity	200
Diametro Ruota in mm	150
Type of Wheel:	Nylon/Poliuretano
Colour	Yellow RAL028
Manufacturer	Carmeccanica
Made in	Italia
Warranty	5 Years
Conformità	CE
Lead Time	Pronta Consegna