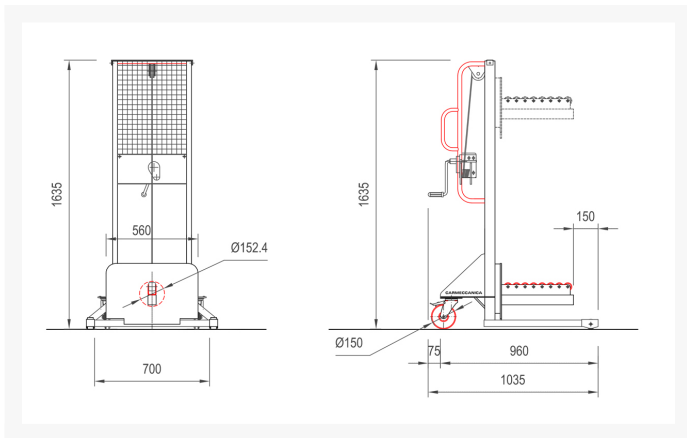


# Hand winch stacker with automatic friction brake

## Immagini Prodotto







## Descrizione

**Capacity** Kg 200

**Weight** Kg 55

Lifting height mm 1.250

Cable breaking load 1.000 kg

Push handles

Sizes:

Length mm 1.000

Total width mm 530

Minimum overall height mm 1.610

Maximum overall height mm 1.610

Fixed fork length mm 600

Forks:

Length mm 650

Width mm 80

Thickness mm 50

Inner distance between forks mm 210

2 BACK WHEELS in Nylon/adiprene Ø 150

1 with brake

2 Nylon front rollers Ø 80x40

Turning radius Wa mm 930

Epoxy powder painted

COMPLIANT TO CE RULES

## Informazioni Aggiuntive

---

Cod. Prod.	ARX165
Fornito	Montato - Pronto all'uso
Weight kg	80.0000
Load Capacity	80
Diametro Ruota in mm	150
Type of Wheel:	-
Colour	Yellow RAL028
Manufacturer	Carmeccanica
Made in	Italia
Warranty	5 Years
Conformità	CE
Lead Time	Su Richiesta