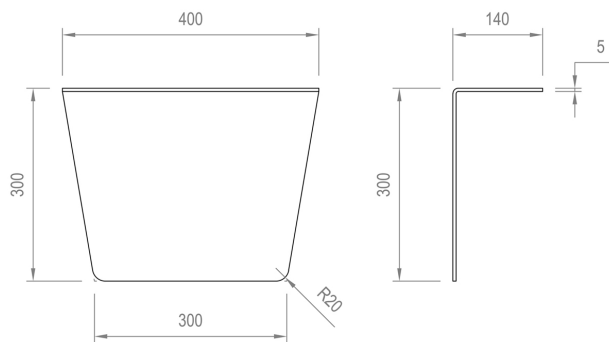


High back reclined hand truck for fruit and vegetable crates with adjustable height

Immagini Prodotto





Descrizione

2 poliurethane filled puncture proof wheels Ø 260

1 swivel caster Ø200

Sizes mm 1900x490x2250h

Noseplate:

Width mm 310

Depth mm 400

Weight Kg. 30

Capacity Kg. 350

Rhomboidal grab handle with hand-guards

Adjustable height

ACRILIC POWDER PAINTING

COMPLIANT TO CE RULES

Informazioni Aggiuntive

Cod. Prod.	ART018PN-02
GTIN/EAN	8053853150721
Fornito	Montato - Pronto all'uso
Weight kg	30.0000
Diametro Ruota in mm	260
Type of Wheel:	PU Flat Free
Colour	Yellow RAL028
Manufacturer	Carmeccanica
Made in	Italia
Warranty	5 Years
Conformità	CE
Lead Time	7 giorni