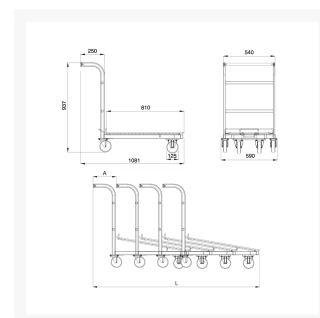


Lawn & Garden Shopping Cart

Immagini Prodotto



Descrizione

2 fixed casters Ø 125

2 swivel caster Ø 125

Sizes mm 590x1081x937 h

Nesting distance mm 260

Capacity Kg. 300

Weight Kg. 16

Mesh load platform f.8

Width mm 590/540

Length mm 810

Zinc plated and epoxy powder coated
COMPLIANT TO CE RULES

Optional:
Metal coin lock

Informazioni Aggiuntive

Cod. Prod.	ART048C
GTIN/EAN	8053853157935
Fornito	Montato - Pronto all'uso
Weight kg	16.0000
Load Capacity	300
Type of Wheel:	Rubber
Colour	Zinc Plated
Manufacturer	Carmeccanica
Made in	Italia
Warranty	5 Years
Conformità	CE
Lead Time	Pronta Consegna