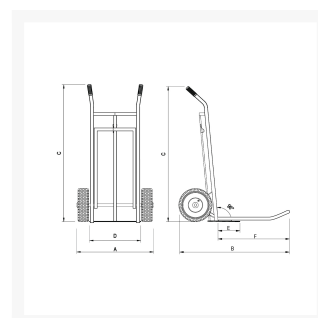


Sack truck entry with folding front platform and pneumatic wheels

Immagini Prodotto



Descrizione

Hand truck with curved backrest ideal for holding bags, drums and soft materials.

Ideal for loading jobs, deliveries, removals, but also for housework or garden work.

Hand truck with double platform that can be opened to create more space for loading. Light and easy to use.

2 pneumatic wheels Ø260

4-ply pneumatic (4PR), nylon core, rolling on roller cage, maximum pressure 2.0 bar (30 psi)

Hand truck suitable for stoneware, asphalt, concrete, resin, grating and dirt.

Sizes mm 585x510x1095h

Noseplate Sizes mm 400x250

Folding front platform mm 320x470

Weight Kg. 10

Capacity Kg. 150

Non-toxic rubber knobs

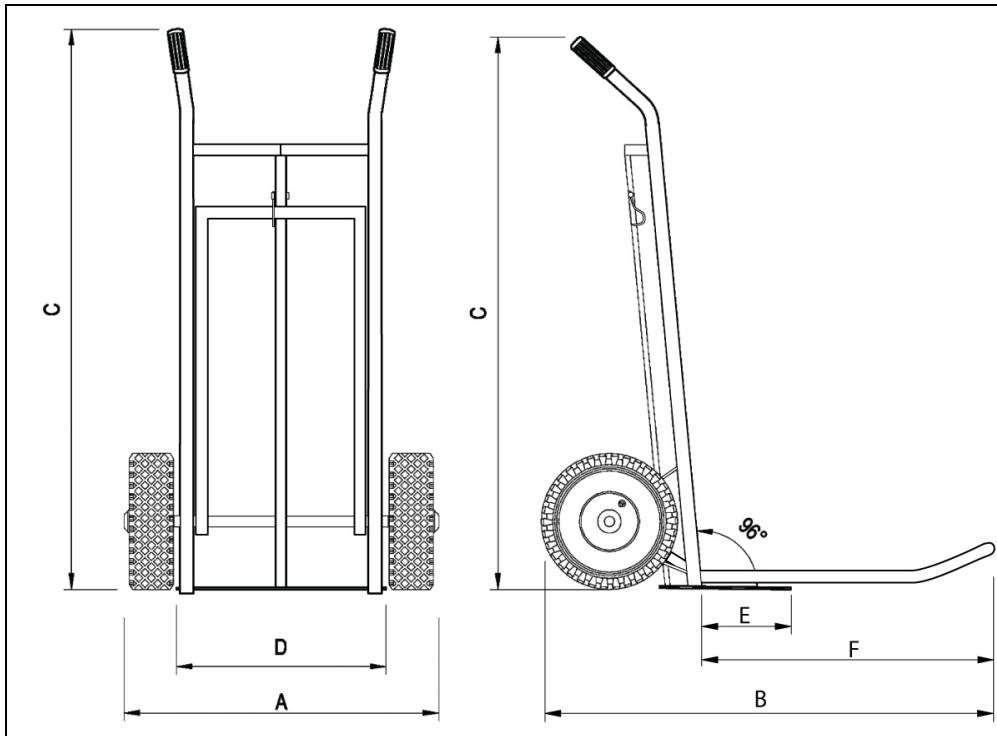
Ergonomic handle.

Central support bar.

Electro-welded tubes,

EPOXY POWDERS COATED

COMPLIANT WITH CE STANDARDS



	A	B	C	D	E	F
mm	585	510	1095	400	250	470

Informazioni Aggiuntive

Cod. Prod.	ART105R
GTIN/EAN	8053853153913
Fornito	Montato - Pronto all'uso
Weight kg	10.0000
Plate	400x250
Load Capacity	150
Type of Wheel:	Pneumatic Ny
Colour	Yellow RAL028
Manufacturer	Carmeccanica
Made in	Italia
Warranty	5 Years
Conformità	CE
Lead Time	7 giorni