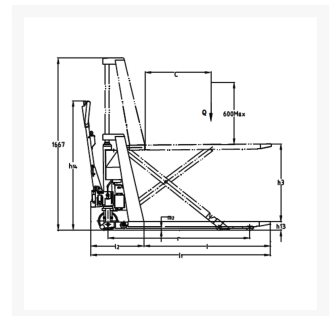
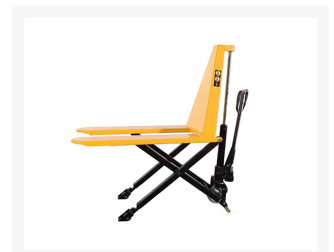
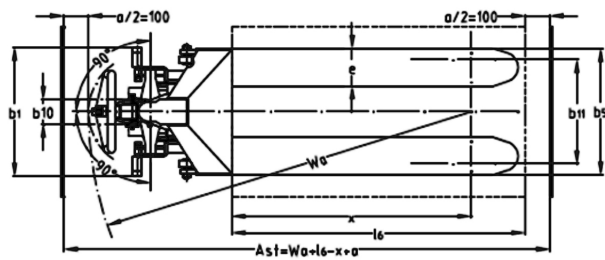


Scissor high lift pallet truck

Immagini Prodotto





Descrizione

Capacity Kg 1000

Weight Kg 122

Overall fork length mm 1.170

Width overall forks mm 540

Total length L1 mm 1.480

Lowered height mm 85

Stroke height (the load can be stopped at any height within the stroke height) mm 715

Raised height mm 800

Nylon steer wheel mm 150

2 white nylon front roller \varnothing 75x50

Steer arc degrees 180°

Turning radius W_0 mm 1.250

Working aisle for europallet 800x1.200 Ast mm 1.760

3 positions fingertip control (lifting-lowering-quicklifting)

Heavy gauge steel construction with continuous seam welds

Oven dried epoxy powder painting

COMPLIANT TO CE RULES

Informazioni Aggiuntive

Cod. Prod.	TCRFPANTOGRAFOQL
GTIN/EAN	8053853156105
Fornito	Montato - Pronto all'uso
Weight kg	122.0000
Load Capacity	1000
Colour	Red RAL3000
Manufacturer	Carmeccanica
Warranty	2 Years
Conformità	CE
Lead Time	Pronta Consegna