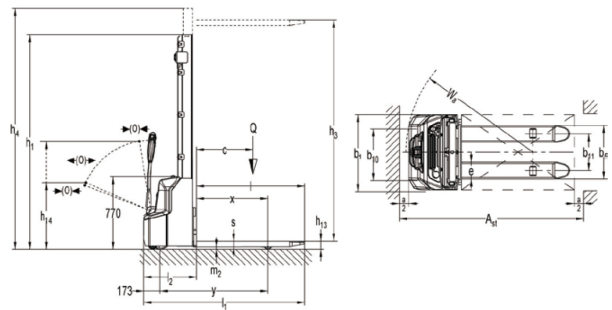
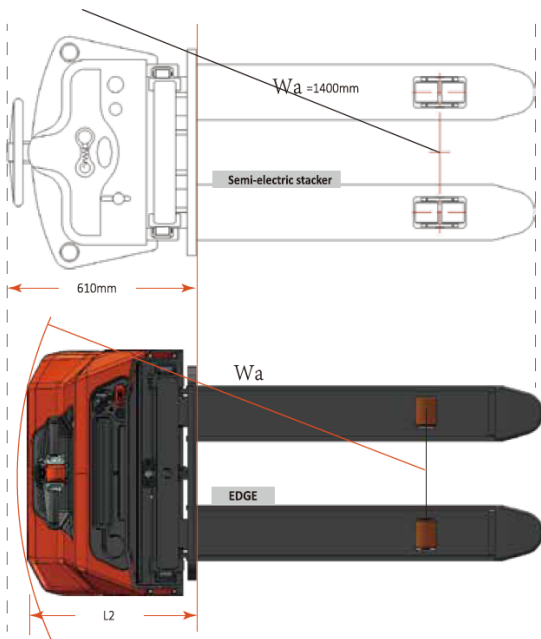


Self propelled stacker lifting height mm 1.600

Immagini Prodotto





Descrizione

Self propelled stacker lifting height mm 1.600 Capacity 1.200 Kg

TNBES

12/16

FEATURES

Capacity	Q	Kg	1.200
Load center distance	C	mm	600
Drive system			Pedestrian

SIZES

Lifting height	h3	mm	1.520
Free lift		mm	-
Forks length	l	mm	1.150
Width over forks	b5	mm	570
Singel fork width x thickness	e/s	mm	180/60
Overall length (rider platform closed)	l1	mm	1.889
Length to face of forks	l2	mm	739
Width	b1	mm	890
Minimum overall height	h1	mm	1.976
Maximum overall height	h4	mm	1.976
Turning radius	Wa	mm	1.280
Handle height max / min	h14	mm	1.320/940
Minimum forks height	h13	mm	81
Working aisle pallet 800x1200	AST	mm	2.145

PERFORMANCE

Driving speed laden / unladen		Km/h	5.2/5.5
Lifting speed laden / unladen		mm/s	110/170
Lowering speed laden / unladen		mm/s	120/130

Gradeability laden / unladen	%	6/12
------------------------------	---	------

CHASSIS

number of wheels drive end / load end (M=driving wheel)	nr	2+1M/4
---	----	--------

Poliurethane swivel casters	mm Ø	150x54
-----------------------------	------	--------

Driving wheel	mm Ø	252x89
---------------	------	--------

Nylon front rollers	mm Ø	80x70
---------------------	------	-------

Wheelbase	y mm	1.278
-----------	------	-------

Track width driver end	b10 mm	650
------------------------	--------	-----

Track width load end	b11 mm	390
----------------------	--------	-----

MOTOR

Drive motor s2 60min	Kw	1,2
----------------------	----	-----

Lift motor s3 15%	Kw	2,2
-------------------	----	-----

Drive control		MOSFET
---------------	--	--------

Battery	V/Ah	24/210
---------	------	--------

WEIGHT

Service weight	Kg	810
----------------	----	-----

Battery wieght	Kg	185
----------------	----	-----

CHARGER

Charger	V-A	24-40
---------	-----	-------

Informazioni Aggiuntive

Cod. Prod.	TNBCS 12/29
GTIN/EAN	8053853158314
Fornito	Montato - Pronto all'uso
Weight kg	457.0000
Load Capacity	1200
Diametro Ruota in mm	200
Type of Wheel:	Nylon/Poliuretano
Colour	Red
Manufacturer	Carmeccanica
Warranty	2 Years
Conformità	CE
Lead Time	15 giorni