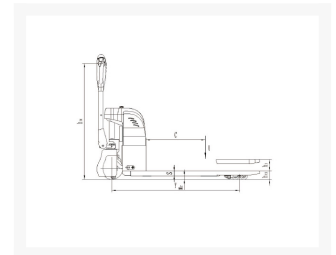
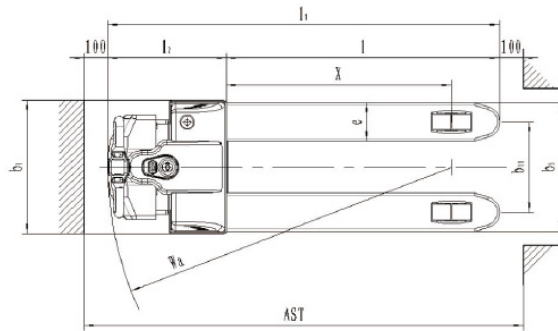


Self propelled electric power pallet truck

Immagini Prodotto





Descrizione

TNBP

15

FEATURES

Capacity	Q	Kg	1.500
Load center distance	C	mm	600
Drive system	Fold down rider platform		

SIZES

Lift height	h_3	mm	115
Free lift		mm	
Overall fork length	l	mm	1.150
Width over forks	b_5	mm	540
Fork width x thickness	e_{7s}	mm	168/48
Total length (folded rider platform)	l_1	mm	1.64/8
Length to front face of forks	l_2	mm	498
Width	b_1	mm	560
Minimum height	h_1	mm	745

Tiller height in neutral position	h 4	mm	1.260
Turning radius	Wa	mm	1.640
Handle height MAX/min	h 14	mm	1.320/940
Minimum fork height	h 13	mm	85
Working aisle pallet 800x1200	AST	mm	2.119

PERFORMANCES

Drive speed loaded/ unloaded		Km/h	4.2/4.6
Lifting speed loaded/unloaded		mm/s	30/53
Lowering speed loaded/ unloaded	y	mm/s	49/36

Gradeability

CHASSIS

Wheels number drive end/ load end		nr	2+1M/4
Polyurethane stabilizer caster		mm Ø	50x30
Drive wheel		mm Ø	220x70
Nylon front rollers		mm Ø	80x70
Wheelbase	y	mm	1.293
Track width drive end	b 10	mm	380
Track width fork end	b 11	mm	340

MOTOR

Drive motor s2 60 min		Kw	0.65(AC)
Lifting motor s3 15%		Kw	0,8
Drive control			MOSFET
Battery		V/Ah	24/60

WEIGHT

Weight unloaded		Kg	190
Weight battery		Kg	24

RECTIFIER

Informazioni Aggiuntive

Cod. Prod.	TNBP 15
Fornito	Montato - Pronto all'uso
Weight kg	190.0000
Load Capacity	1500
Colour	Red RAL3000
Manufacturer	Carmeccanica
Made in	Italia
Warranty	2 Years
Conformità	CE
Lead Time	Esaurito