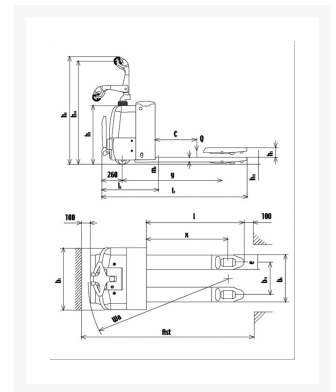


Self propelled electric power pallet truck

Immagini Prodotto



Descrizione

TNBTX

20

FEATURES

Capacity	Q	Kg	2.000
Load center distance	C	mm	600
Drive system			Fold down rider platform

SIZES

Lift height	h3	mm	120
Free lift		mm	
Overall fork length	l	mm	1.150
Width over forks	b5	mm	540
Fork width x thickness	e7s	mm	160/60
Total length (folded rider platform)	l1	mm	1.815
Length to front face of forks	l2	mm	665
Width	b1	mm	726
Minimum height	h1	mm	745
Tiller height in neutral position	h4	mm	1.323
Turning radius	Wa	mm	1.640
Handle height MAX/min	h14	mm	1.320/940
Minimum fork height	h13	mm	85
Working aisle pallet 800x1200	AST	mm	2.105

PERFORMANCES

Drive speed loaded/ unloaded		Km/h	5.0/5.2
Lifting speed loaded/unloaded		mm/s	27/35
Lowering speed loaded/ unloaded	y	mm/s	42/27

Gradeability

CHASSIS

Wheels number drive end/ load end		nr	2+1M/4
Polyurethane stabilizer caster		mm Ø	100x40
Drive wheel		mm Ø	230x75

Nylon front rollers		mm ø	84x70
Wheelbase	y	mm	1.368
Track width drive end	b 10	mm	540
Track width fork end	b 11	mm	380

MOTOR

Drive motor s2 60 min		Kw	1,5
Lifting motor s3 15%		Kw	0,8
Drive control			MOSFET
Battery		V/Ah	24/210

WEIGHT

Weight unloaded		Kg	634
Weight battery		Kg	185

RECTIFIER

Charger		V-A	24-40
---------	--	-----	-------

Informazioni Aggiuntive

Cod. Prod.	TNBTX20
GTIN/EAN	8053853156303
Fornito	Montato - Pronto all'uso
Weight kg	634.0000
Load Capacity	2000
Type of Wheel:	-
Colour	Red RAL3000
Manufacturer	Carmeccanica
Made in	Italia
Warranty	2 Years
Conformità	CE
Lead Time	Pronta Consegna