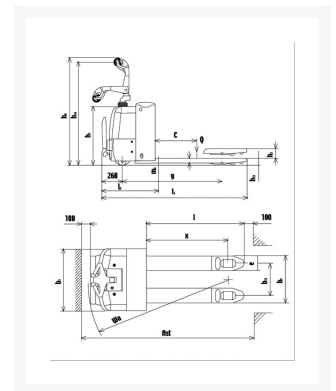


Self propelled electric power pallet truck

Immagini Prodotto



Descrizione

TNBTX

15

FEATURES

Capacity	Q	Kg	1.500
Load center distance	C	mm	600
Drive system			Fold down rider platform

SIZES

Lift height	h3	mm	120
Free lift		mm	
Overall fork length	l	mm	1.150
Width over forks	b5	mm	520
Fork width x thickness	e7s	mm	160/47
Total length (folded rider platform)	l1	mm	1.590
Length to front face of forks	l 2	mm	440
Width	b 1	mm	700
Minimum height	h1	mm	745
Tiller height in neutral position	h 4	mm	1.205
Turning radius	Wa	mm	1.640
Handle height MAX/min	h 14	mm	1.320/940
Minimum fork height	h 13	mm	85
Working aisle pallet 800x1200	AST	mm	2.145

PERFORMANCES

Drive speed loaded/ unloaded		Km/h	5.0/5.5
Lifting speed loaded/unloaded		mm/s	27/35
Lowering speed loaded/ unloaded	y	mm/s	42/27

Gradeability

CHASSIS

Wheels number drive end/ load end		nr	2+1M/4
Polyurethane stabilizer caster		mm Ø	100x40
Drive wheel		mm Ø	252x89

Nylon front rollers		mm ø	84x70
Wheelbase	y	mm	1.217
Track width drive end	b 10	mm	500
Track width fork end	b 11	mm	360

MOTOR

Drive motor s2 60 min		Kw	0,9
Lifting motor s3 15%		Kw	0,8
Drive control			MOSFET
Battery		V/Ah	24/210

WEIGHT

Weight unloaded		Kg	288
Weight battery		Kg	48

RECTIFIER

Charger		V-A	24-8
---------	--	-----	------

Informazioni Aggiuntive

Cod. Prod.	TNBTX16
Fornito	Montato - Pronto all'uso
Weight kg	290.0000
Load Capacity	1600
Colour	Red RAL3000
Manufacturer	Carmeccanica
Made in	Italia
Warranty	2 Years
Conformità	CE
Lead Time	Esaurito