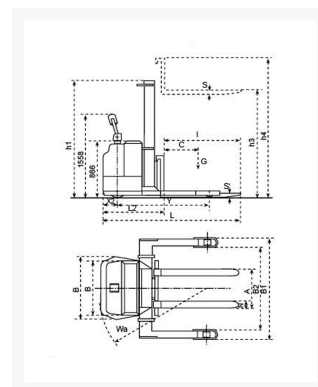


Self propelled stacker

Immagini Prodotto



Descrizione

TNBEX

12/16

FEATURES

Capacity	Q	Kg	1.200
Load center distance	C	mm	600
Drive			Fold down rider platform

SIZES

Lifting height	h3	mm	1.520
Free lift		mm	1.490
Overall fork length	l	mm	1.150
Width over forks	b5	mm	570
Fork width x thickness	e7s	mm	180/60
Overall length (TOEPLATE closed)	l1	mm	1.889
Length to front face of forks	l 2	mm	739
Width	b 1	mm	890
Minimum height	h1	mm	1.976
Maximum overall height	h 4	mm	1.976
Turning radius	Wa	mm	1.280
Tiller height MAX/min	h 14	mm	940/1.320
Minimum fork height	h 13	mm	81
Working aisle pallet 800x1200	AST	mm	2.145

PERFORMANCES

Drive speed loaded/ unloaded		Km/h	5.2/5.5
Lifting speed loaded/unloaded		mm/s	110/170
Lowering speed loaded/ unloaded	y	mm/s	120/130
Gradeability loaded/unloaded			

CHASSIS

Wheels number drive end/ load end		nr	2+1M/4
Polyurethane stabilizer caster		mm Ø	150x54

Drive wheel		mm ø	252x89
Nylon front rollers		mm ø	80x70
Wheelbase	y	mm	1.278
Truck width drive end	b 10	mm	650
Truck width load end	b 11	mm	390

MOTOR

Drive motor s2 60 min		Kw	1.3
Lifting motor s3 15%		Kw	2.2
Drive control			MOSFET
Battery		V/Ah	24/210

WEIGHT

Weight unloaded		Kg	810
Weight battery		Kg	185

RECTIFIER

Charger		V-A	24-40
---------	--	-----	-------

Informazioni Aggiuntive

Cod. Prod.	TNBCDW 15/16
Fornito	Montato - Pronto all'uso
Weight kg	820.0000
Load Capacity	1500
Colour	Yellow RAL028
Warranty	2 Years
Conformità	CE
Lead Time	Esaurito