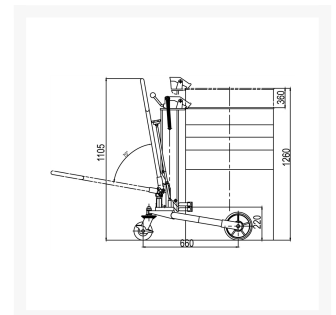


# Self supporting mobile drum carrier

## Immagini Prodotto



## Descrizione

---

Sizes mm 800x770x1145/1360h  
Ø drum maximum diameter mm 572  
**Capacity** Kg. 250  
**Weight** Kg. 40  
2 polyurethane wheels Ø 200  
Drum lift height mm 240  
ACRILIC POWDER PAINTING  
COMPLIANT TO CE RULES

## Informazioni Aggiuntive

---

Cod. Prod.	ART101
GTIN/EAN	8053853153722
Fornito	Smontato - Viteria a Corredo
Weight kg	40.0000
Load Capacity	250
Type of Wheel:	Poliammide (Nylon)
Colour	Yellow RAL028
Manufacturer	Carmeccanica
Made in	Italia
Warranty	2 Years
Conformità	CE
Lead Time	Pronta Consegna