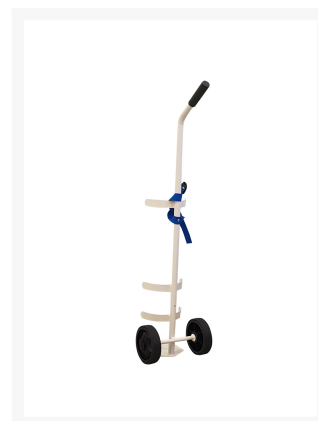
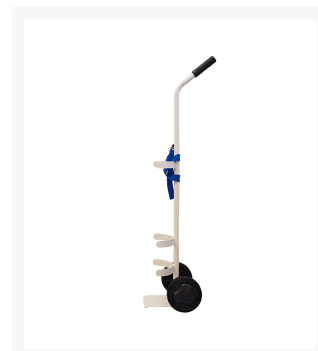
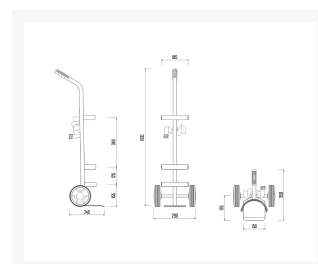


Single cylinder truck 10/14 lt.

Immagini Prodotto





Descrizione

Single cylinder truck for Ø 160 cylinder, capacity lt. 10/14.

Designed for a professional user, ideal for both industrial and hospital use.

The containment hoops at different heights and the strap with buckle ensure greater stability.

2 Injection rubber wheel Ø 150

Polypropylene centre, hub on smooth bushing

Hand track suitable for stoneware, asphalt, concrete and resin.

Sizes 290x350x1100 mm

Round cylinder holders height mm 155 - 275 - 615

Noseplate sizes 150x150 mm

Weight Kg.3,5

Capacity 60 Kg

Belt with 70 cm blue buckle.

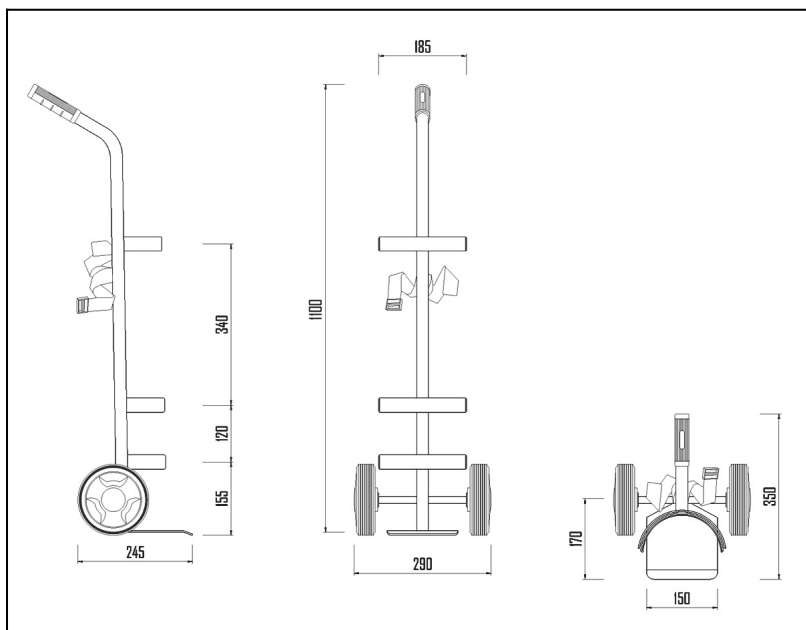
Non-toxic rubber knobs.

Ergonomic handle.

Tubular, plate and electro-welded rims.

EPOXY POWDERS COATED

COMPLIES WITH CE STANDARDS



Informazioni Aggiuntive

Cod. Prod.	ART032
GTIN/EAN	8053853151124
Fornito	Montato - Pronto all'uso
Weight kg	3.5000
Plate	150x150
Load Capacity	60
Diametro Ruota in mm	150
Type of Wheel:	Nylon
Colour	White RAL9010
Manufacturer	Carmeccanica
Made in	Italia
Warranty	5 Years
Conformità	CE
Lead Time	Pronta Consegna