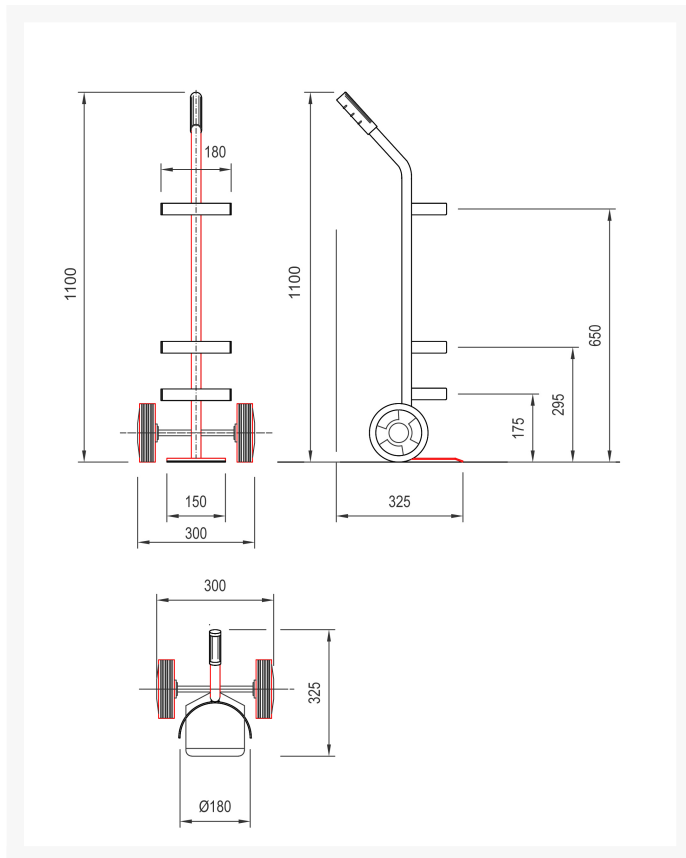


Stainless steel cylinder truck 5/7 Lt.

Immagini Prodotto





Descrizione

Single cylinder truck for Ø 160 cylinder, capacity lt. 5/7.

Greater resistance to oxidation and corrosion, especially with humid air or fresh water. The hand truck in stainless steel (AISI 304) are indispensable for the food and hotel sector, in organized distribution and in all environments with a high degree of salinity.

2 rubber wheel Ø 150

Non-marking grey rubber wheel, nylon core and hub on smooth bushing.

Hand truck suitable for stoneware, asphalt, concrete and resin.

Sizes 290x350x1100 mm

Round cylinder holders height mm 155 - 275 - 615

Noseplate sizes 150x150 mm

Weight Kg.3,5

Capacity 60 Kg

Strap with buckle for cylinder containment in the highest containment circle.

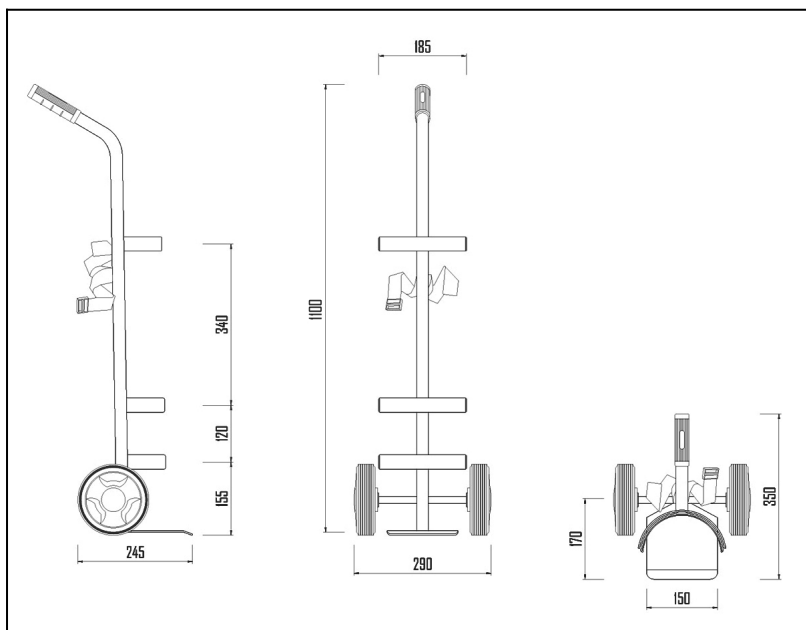
Non-toxic rubber knobs.

Ergonomic handle.

Tubular, plate and electro-welded rims.

AISI 304 Stainless Steel

COMPLIES WITH CE STANDARDS



Informazioni Aggiuntive

| | |
|----------------------|----------------------------|
| Cod. Prod. | ART032INOX |
| GTIN/EAN | 8053853151223 |
| Fornito | Montato - Pronto all'uso |
| Weight kg | 3.5000 |
| Plate | 150x150 |
| Load Capacity | 100 |
| Diametro Ruota in mm | 150 |
| Type of Wheel: | Grey Rubber |
| Colour | Pickled Stainless Steel 2B |
| Manufacturer | Carmeccanica |
| Made in | Italia |
| Warranty | 5 Years |
| Conformità | CE |
| Lead Time | 7 giorni |