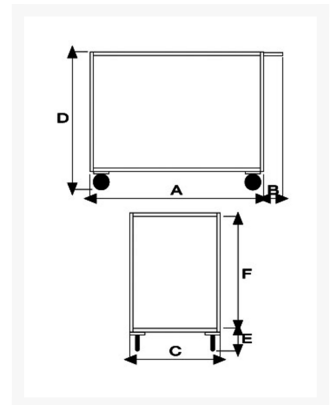
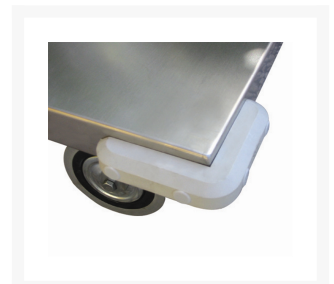


Stock cart, 2 high capacity shelves, deadman brake

Immagine Prodotto



Descrizione

2 shelves stock cart with deadman brake:

The truck is equipped with an handle that can be moved upward and downward.

The operator must lower the handle, in order to unlock the brake. While the handle is in the downward position, the truck can be moved.

The brake is automatically engaged when the operator releases the handle, which automatically rises in the upward position.

4 casters 2 with deadman brake \varnothing 150

Overall sizes mm 500x950x880h

Weight Kg 23

Capacity Kg 250

Plate 15/10

EPOXY POWDER COATED

COMPART TO 800 DIRECTIVE 2006/42 CE 175 630

Optional:

ABS toe-protection

Informazioni Aggiuntive

Cod. Prod.	ART041AFR1
GTIN/EAN	8053853151612
Fornito	Montato - Pronto all'uso
Weight kg	23.0000
Load Capacity	250
Diametro Ruota in mm	150
Type of Wheel:	Rubber
Colour	Blu RAL5015
Manufacturer	Carmeccanica
Made in	Italia
Warranty	5 Years
Conformità	CE
Lead Time	15 giorni

Additional Options

Paracolpi angolari	2 paracolpi angolari in gomma grigia antitraccia
	4 paracolpi angolari in gomma grigia antitraccia
Antivibrante	Applicazione antivibrante