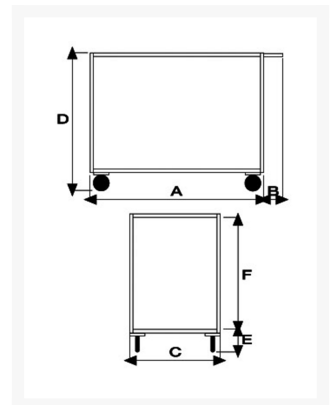
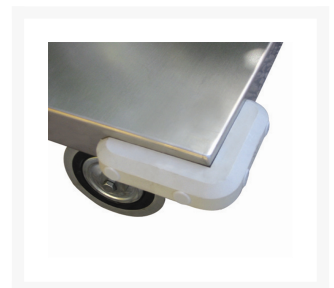


Stock cart 2 high capacity shelves, plate thickness 15/10, 2 casters with brake

Immagini Prodotto



Descrizione

Sizes mm 500x800x850h

Shelves plate thickness 15/10

2 fixed and 2 swivel casters, 2 with brake \varnothing 125

Weight Kg. 21

Capacity Kg. 250

INOX

COMPLIANT TO CE RULES

ART A B C D E F

Informazioni Aggiuntive

Cod. Prod.	ART041GIRFRINOX
GTIN/EAN	8053853151834
Fornito	Montato - Pronto all'uso
Weight kg	22.0000
Load Capacity	300
Diametro Ruota in mm	125
Type of Wheel:	Grey Rubber
Colour	Satinized Stainless Steel
Manufacturer	Carmeccanica
Made in	Italia
Warranty	5 Years
Conformità	CE
Lead Time	Pronta Consegna

Additional Options

Antivibrante	Applicazione antivibrante
---------------------	---------------------------