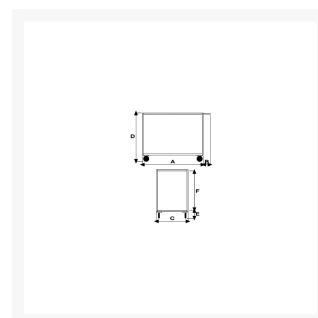
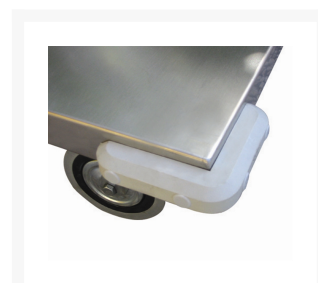


# Stock cart 2 high capacity shelves, plate thickness 15/10, 2 casters with brake

## Immagine Prodotto



## Descrizione

Sizes mm 500x800x850h

Shelves plate thickness 15/10

2 fixed and 2 swivel casters, 2 with brake  $\varnothing$  125

**Weight** Kg. 21

**Capacity** Kg. 250

INOX

COMPLIANT TO CE RULES

ART

A

B

C

D

E

F

## Informazioni Aggiuntive

Cod. Prod.	ART041AGIRFRINOX
GTIN/EAN	8053853151650
Fornito	Montato - Pronto all'uso
Weight kg	21.0000
Load Capacity	250
Diametro Ruota in mm	125
Type of Wheel:	Grey Rubber
Colour	Satinized Stainless Steel
Manufacturer	Carmeccanica
Made in	Italia
Warranty	5 Years
Conformità	CE
Lead Time	Pronta Consegna

## Additional Options

<b>Antivibrante</b>	Applicazione antivibrante
---------------------	---------------------------