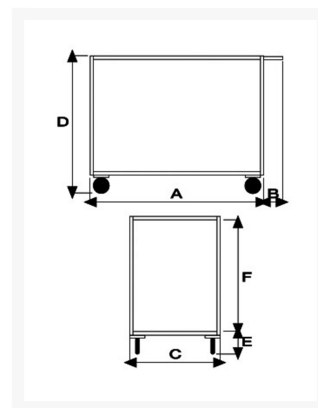
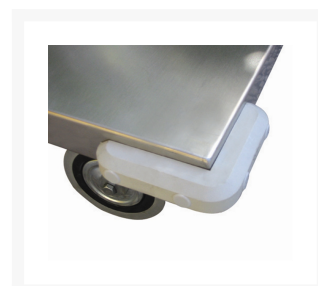


Stock cart 2 high capacity shelves, plate thickness 15/10, 4 swivel casters, 2 with brake

Immagini Prodotto



Descrizione

Sizes mm 500x800x850h

Shelves plate thickness 15/10

4 swivel casters, 2 with brake \varnothing 125

Weight Kg. 21

Capacity Kg. 250

ACRILIC POWDER PAINTING

COMPLIANT TO CE RULES

ART	A	B	C	D	E	F
041AGIRFR	800	150	500	850	160	630

Informazioni Aggiuntive

Cod. Prod.	ART041AGIRFR
GTIN/EAN	8053853151643
Fornito	Montato - Pronto all'uso
Weight kg	21.0000
Load Capacity	250
Diametro Ruota in mm	125
Type of Wheel:	Rubber
Colour	Blu RAL5015
Manufacturer	Carmeccanica
Made in	Italia
Warranty	5 Years
Conformità	CE
Lead Time	Pronta Consegna

Additional Options

Antivibrante	Applicazione antivibrante
---------------------	---------------------------