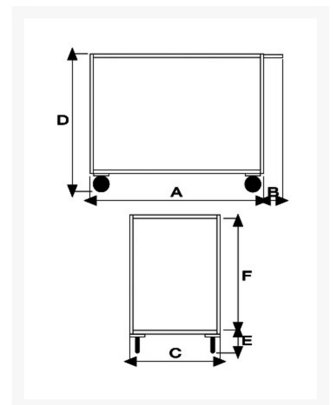
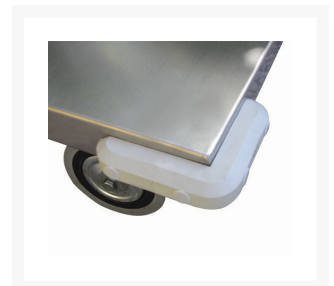


# Stock cart 2 high capacity trays with a mm 30 perimeter lip, 2 casters with brake

## Immagini Prodotto



## Descrizione

Sizes mm 500x800x830h

Trays plate thickness 15/10 with a 30 mm perimeter lip

2 fixed and 2 swivel casters , 2 with brake Ø125

**Weight** Kg. 21

**Capacity** Kg. 250

INOX

COMPLIANT TO CE RULES

ART	A	B	C	D	E	F
041AVFRINOX	800	150	500	880	190	630

## Informazioni Aggiuntive

Cod. Prod.	ART041AVFRINOX
GTIN/EAN	8053853151704
Fornito	Montato - Pronto all'uso
Weight kg	18.0000
Load Capacity	300
Diametro Ruota in mm	125
Type of Wheel:	Grey Rubber
Colour	Blu RAL5015
Manufacturer	Carmeccanica
Made in	Italia
Warranty	5 Years
Conformità	CE
Lead Time	Pronta Consegna

## Additional Options

<b>Antivibrante</b>	Applicazione antivibrante
---------------------	---------------------------