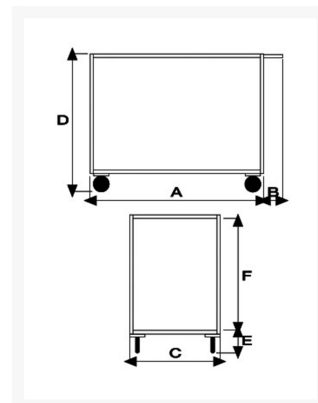
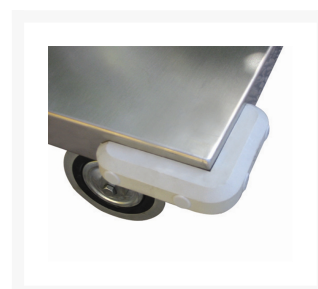


Stock cart 2 high capacity trays with a mm 30 perimeter lip, 2 casters with brake

Immagini Prodotto



Descrizione

Sizes mm 600x900x830h

Trays plate thickness 20/10 with a 30 mm perimeter lip

2 fixed and 2 swivel casters, 2 with brake Ø140

Weight Kg. 29

Capacity Kg. 300

INOX

COMPLIANT TO CE RULES

ART	A	B	C	D	E	F
041VFRINOX	900	150	600	895	200	630

Informazioni Aggiuntive

Cod. Prod.	ART041VFRINOX
GTIN/EAN	8053853151896
Fornito	Montato - Pronto all'uso
Weight kg	22.0000
Load Capacity	300
Diametro Ruota in mm	125
Type of Wheel:	Grey Rubber
Colour	Satinized Stainless Steel
Manufacturer	Carmeccanica
Made in	Italia
Warranty	5 Years
Conformità	CE
Lead Time	Pronta Consegna

Additional Options

Antivibrante	Applicazione antivibrante
---------------------	---------------------------