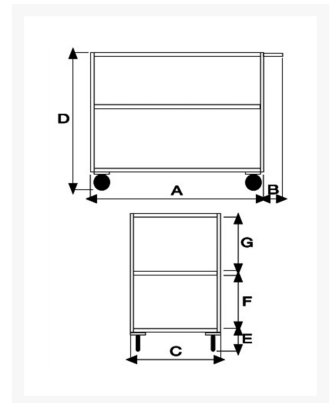
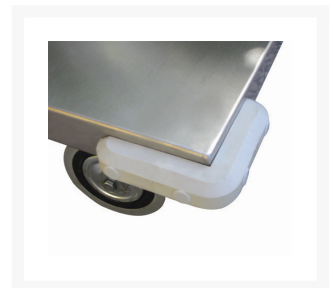


Stock cart 3 high capacity trays, plate thickness 15/10, 4 swivel casters, 2 with brake

Immagini Prodotto



Descrizione

Sizes mm 500x800x880h

Trays plate thickness 15/10 with 30 mm perimeter lip

4 swivel casters, 2 with brake \varnothing 125

Weight Kg. 26

Capacity Kg. 250

ACRILIC POWDER PAINTING
COMPLIANT TO CE RULES

ART	A	B	C	D	E	F	G
040AGIRFR	800	150	500	880	185	300	300

Informazioni Aggiuntive

Cod. Prod.	ART040AGIRFR
GTIN/EAN	8053853151476
Fornito	Montato - Pronto all'uso
Weight kg	26.0000
Load Capacity	250
Diametro Ruota in mm	125
Type of Wheel:	-
Colour	Blu RAL5015
Manufacturer	Carmeccanica
Made in	Italia
Warranty	5 Years
Conformità	CE
Lead Time	Pronta Consegna