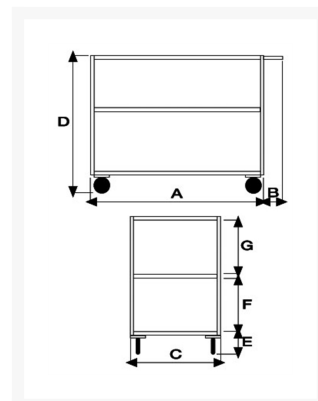
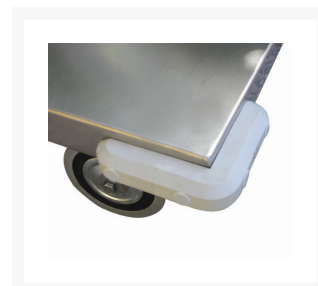


Stock cart 3 high capacity trays, plate thickness 15/10, 4 swivel casters

Immagini Prodotto



Descrizione

4 swivel black rubber casters, iron core Ø125

Overall sizes mm 500x950x880h

Shelf sizes mm 500x800

Weight Kg. 26

Capacity Kg. 250

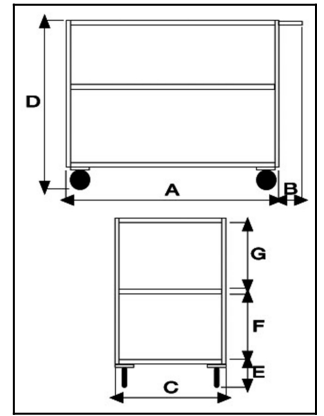
Plate thickness 15/10

Perimeter lip with height mm 30

Welded push handle

EPOXY POWDER PAINTING

COMPLIANT TO CE RULES



ART	A	B	C	D	E	F	G
040AGIR	800	150	500	880	180	300	300

Optional:

Corner grey rubber bumpers

Noise absorbing rubber: rubber layer pasted under the shelf to prevent the plate from vibrating.

Informazioni Aggiuntive

Cod. Prod.	ART040AGIR
GTIN/EAN	8053853151469
Fornito	Montato - Pronto all'uso
Weight kg	26.0000
Load Capacity	250
Diametro Ruota in mm	125
Type of Wheel:	-
Colour	Blu RAL5015
Manufacturer	Carmeccanica
Made in	Italia
Warranty	5 Years
Conformità	CE
Lead Time	Pronta Consegna

Additional Options

Antivibrante	Applicazione antivibrante
---------------------	---------------------------