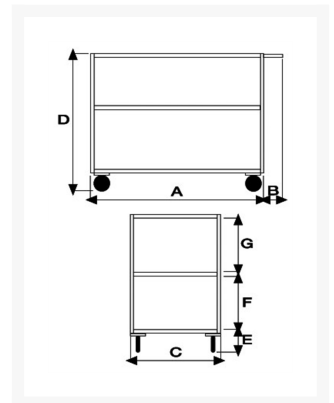


# Stock cart 3 high capacity trays, plate thickness 15/10

## Immagini Prodotto





## Descrizione

---

Sizes mm 500x800x880h

Trays plate thickness 15/10 with 30 mm perimeter lip

2 fixed casters and 2 swivel casters Ø 125

**Weight** Kg. 26

**Capacity** Kg. 250

ACRILIC POWDER PAINTING

COMPLIANT TO CE RULES

ART	A	B	C	D	E	F	G
040A	800	150	500	880	185	300	300

## Informazioni Aggiuntive

---

Cod. Prod.	ART040A
GTIN/EAN	8053853151438
Fornito	Montato - Pronto all'uso
Weight kg	26.0000
Load Capacity	250
Diametro Ruota in mm	125
Type of Wheel:	Rubber
Colour	Blu RAL5015
Manufacturer	Carmeccanica
Made in	Italia
Warranty	5 Years
Conformità	CE
Lead Time	Pronta Consegna

## Additional Options

---

<b>Antivibrante</b>	Applicazione antivibrante
---------------------	---------------------------