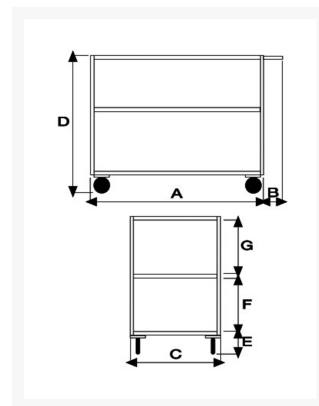
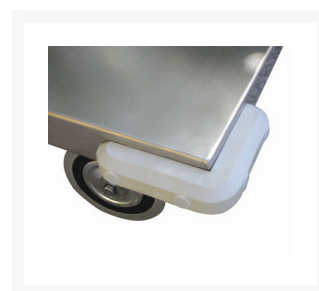


Stock cart 3 high capacity trays, plate thickness 20/10, 4 swivel casters, 2 with brake

Immagini Prodotto



Descrizione

Sizes mm 600x900x895h

Trays plate thickness 20/10 with 30 mm perimeter lip

4 swivel casters, 2 with brake \varnothing 140

Weight Kg. 39

Capacity Kg. 300

ACRILIC POWDER PAINTING
COMPLIANT TO CE RULES

ART	A	B	C	D	E	F	G
040GIRFR	900	150	600	895	200	300	300

Informazioni Aggiuntive

Cod. Prod.	ART040GIRFR
GTIN/EAN	8053853151544
Fornito	Montato - Pronto all'uso
Weight kg	39.0000
Load Capacity	300
Diametro Ruota in mm	140
Type of Wheel:	-
Colour	Blu RAL5015
Manufacturer	Carmeccanica
Made in	Italia
Warranty	5 Years
Conformità	CE
Lead Time	Pronta Consegna